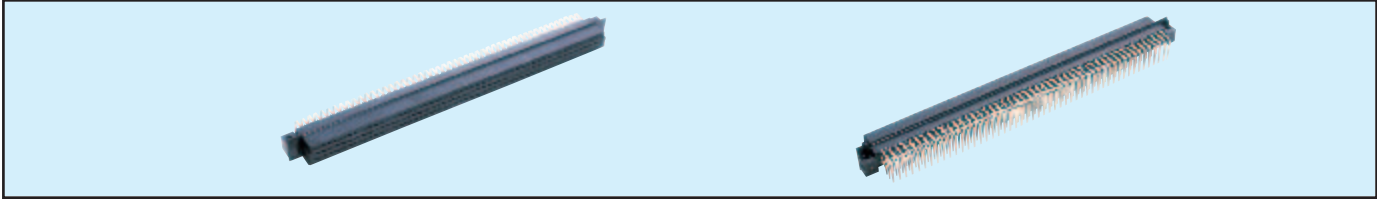



Female Style R Expanded High Temperature Series 8577 – 3 rows (3 x 50) Inverted



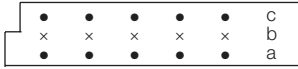
Contact Design and Termination Length	Number of Contacts	Loading Description	Part Number Performance classes according to DIN 41612	
			II	I
0.6 x 0.6 mm Post Profile 2.8 mm (Y) Right Angled 	150	a + b + c fully loaded	20 8577 150 001 025	20 8577 150 001 049
	100	a + c fully loaded	20 8577 150 001 026	20 8577 150 001 050

NB: Alternative Prefix Variations Available: 26, please refer to Page 10.
 Additional Plating & Loading Variations: Please contact your local AVX sales office or distributor.

LOADING DESCRIPTION

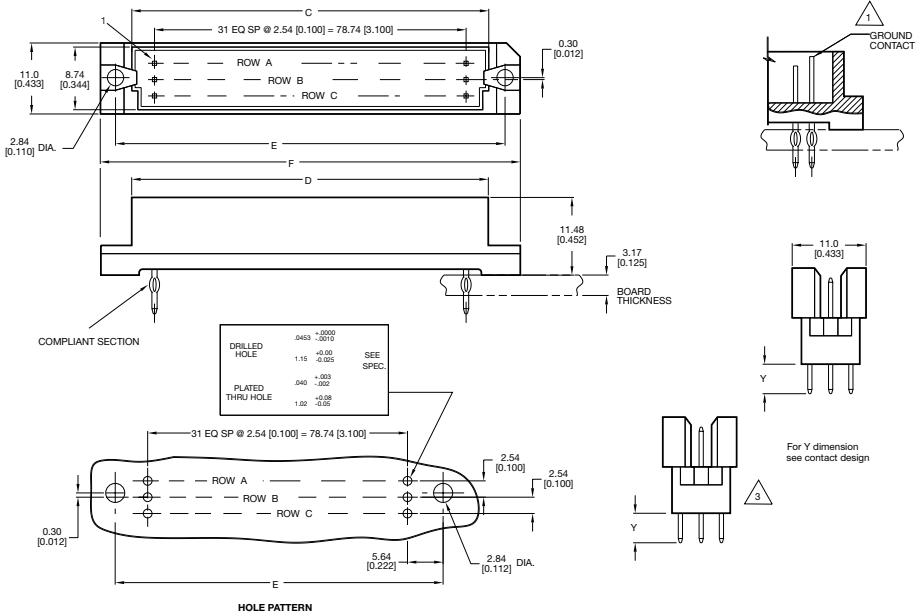


150 contacts, rows a + b + c fully loaded



100 contacts, rows a + c fully loaded

DIMENSIONS



Unit: millimeters (inches)

No. Contact Positions	Contact Rows	A	B	C	D	E	F
150	3 (3 x 50)	49	125.50 (4.941)	130.90 (5.154)	133.60 (5.260)	135.70 (5.343)	140.60 (5.536)